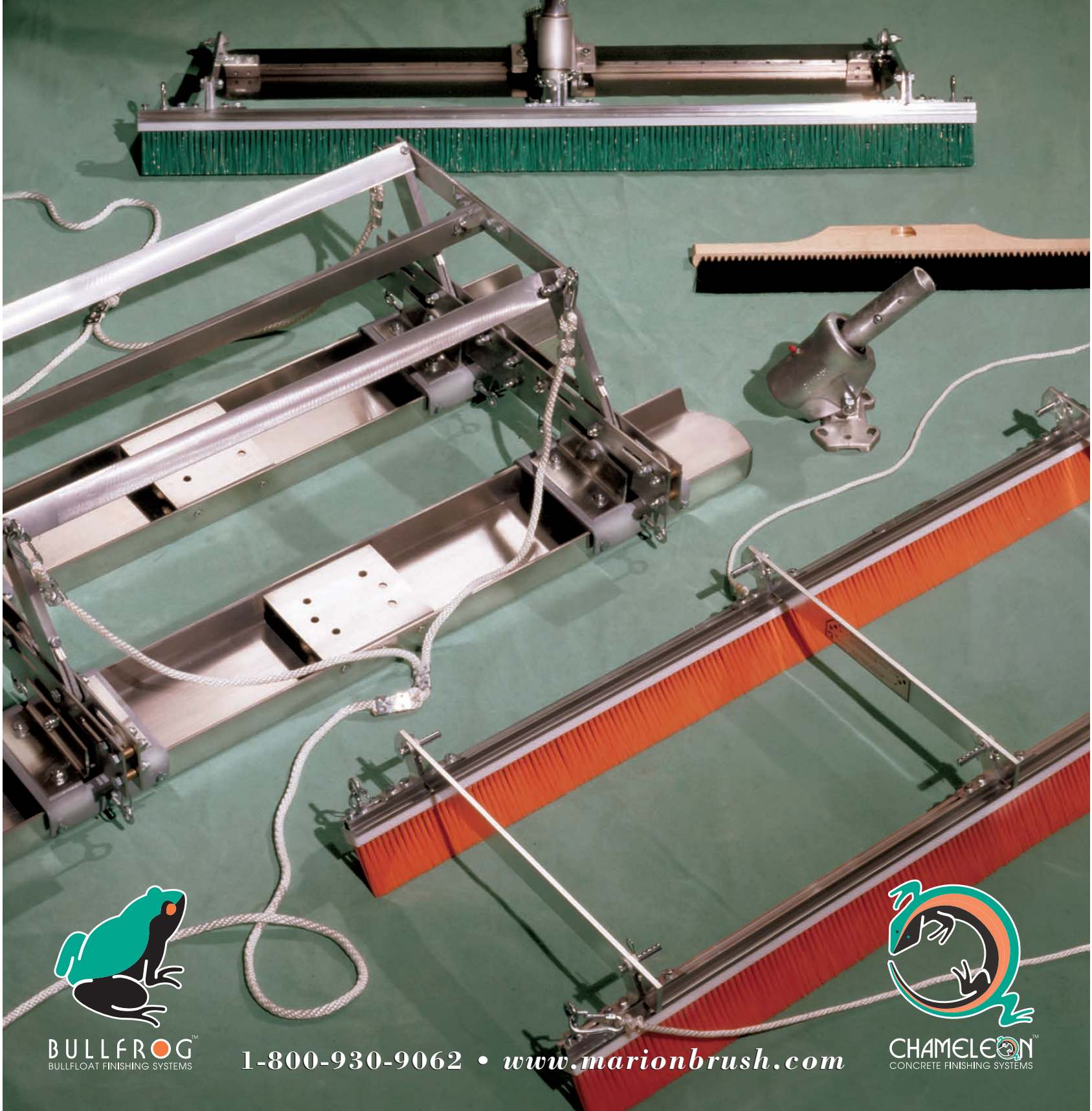


# MARION BRUSH

MANUFACTURING COMPANY



**BULLFROG**<sup>™</sup>  
BULLFLOAT FINISHING SYSTEMS

1-800-930-9062 • [www.marionbrush.com](http://www.marionbrush.com)



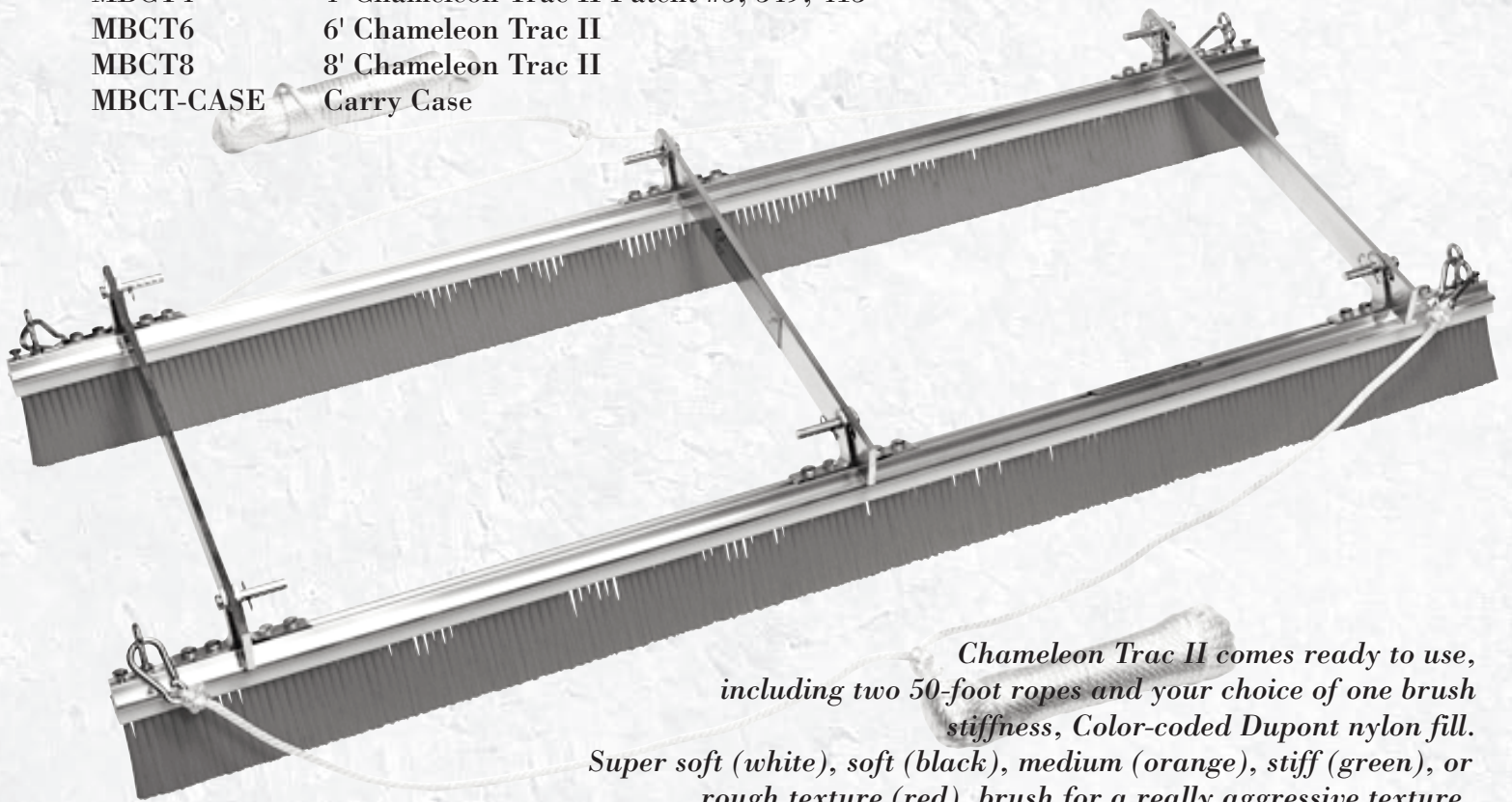
**CHAMELEON**<sup>™</sup>  
CONCRETE FINISHING SYSTEMS



## CHAMELEON TRAC II

Handleless concrete finishing system (rope brush). Is pulled from side to side with ropes (eliminating excessive handle weight) to give you the most uniform textured finish on the market. Restrictions caused by using a handle are eliminated. Is excellent in confined areas where handles are awkward. Is able to finish concrete 50%-75% faster with our 4', 6' and 8' wide brushes. Offers different textures with color coded brush refills. Converts easily from handleless twin brush system into two individual brushes to be used with our Multi-Use Adapter (MBCTADAPT) and handles. Or converts into Bull Float with Brush or Fresno with Brush by simply ordering our Adapter Bar Kit (MBBAK or MBFAK). Optional Carry Case available (MBCT-CASE).

No.	Size
MBCT4	4' Chameleon Trac II Patent #5, 549, 413
MBCT6	6' Chameleon Trac II
MBCT8	8' Chameleon Trac II
MBCT-CASE	Carry Case



*Chameleon Trac II comes ready to use, including two 50-foot ropes and your choice of one brush stiffness, Color-coded Dupont nylon fill. Super soft (white), soft (black), medium (orange), stiff (green), or rough texture (red), brush for a really aggressive texture.*

*“The Chameleon Trac II allows my guys to do a better job and save me time and money, period!”*

Rex Hamilton  
Rex's Custom  
Concrete, Inc.



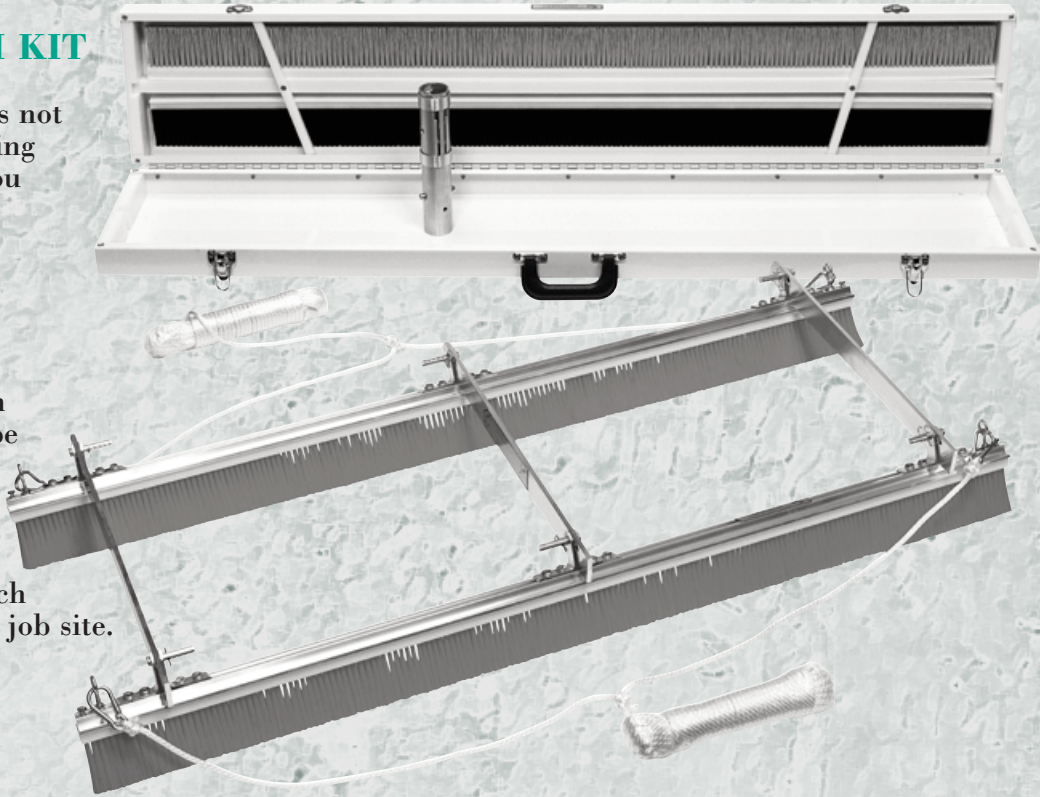
Adapter Bar Kit  
Fresno . . . . .MBFAK  
Bullfloat . . . . .MBBAK  
*See pg.5*

Multi-Use Adapter  
MBCTADAPT  
*See pg.3*



**CHAMELEON TRAC II KIT**

The Chameleon Trac II Kit is not only the best concrete finishing system on the market, but you also will be protecting your investment with it's heavy duty aluminum carry case. The Multi-use adapter lets you covert easily from the patented handleless twin brush system into an individual brush to be used with bull-float or telescopic handles. This kit comes with three different sets of texturing brushes (soft, medium, and stiff) which can easily be changed on the job site.



- MBCT4-KIT\*\* 4' KIT
- MBCT6-KIT\*\* 6' KIT
- MBCT8-KIT\*\* 8' KIT

\*\* (Refills may be assorted, with five textures available)

**CHAMELEON (SINGLE BRUSH SYSTEM)**

Adjustable push-pull angled design uses sides of the bristle, not the ends to produce a superior brush finish. Widest concrete finishing brush on the market. 4', 6' and 8'. Five color-coded texturing brushes to choose from. #612 Dupont nylon resin, high density polyethylene block, and our aluminum extruded channel, makes this the most durable brush on the market.

No.	Size
MBCT4S	4' Single Chameleon
MBCT6S	6' Single Chameleon
MBCT8S	8' Single Chameleon

Single Chameleon comes with multi-use adapter, to be used with snap-on or 3/4" acme threaded bull float or telescopic handles. When ordering, please specify super soft (white), soft (black), medium (orange), stiff (green), or rough texture (red), brush for a really aggressive texture.



Multi-Use Adapter  
MBCTADAPT

*"The Chameleon Single Brush...  
A SUPERB FINISH!"*

John Roemig  
Delaney & Kelly  
Construction Co.

# CHAMELEON SINGLE KIT



**Available in 4', 6', and 8'**

**new**

When you purchase a **Chameleon Single Kit** or **Auto Glide Kit**, you're not only buying the best concrete finishing brush on the market, you are also protecting your investment with our heavy duty aluminum carry case. **Both kits come with one complete brush, two refills and lockable carry case.**

# AUTO GLIDE KIT



**Available in 3', 4', and 6'**





## CONCRETE FINISHING BRUSH

Featuring the same superior Dupont nylon resin as in the CHAMELEON FINISHING BRUSHES. Available in 24" and 36" widths. 3/4" acme threaded hardwood Maple brush block with recessed fitted area for our heavy duty telescopic handles or any bull float handle with 3/4" acme threaded end. Angled fill for smoother use, lightweight for longer reaches. Four stiffness options to choose from.

No.	Size
MBCF24	24" Conventional Brush
MBCF36	36" Conventional Brush
ML2272	6'-12' Two Section Aluminum Telescopic Handle
ML2318	6'-18' Three Section Aluminum Telescopic Handle
ML2324	8'-24' Three Section Aluminum Telescopic Handle

Conventional Brushes & Telescopic Handles  
*"Thank you for the best concrete finishing brushes we've ever used!"*  
 Clarence Kirby and Crew  
 K-Bro. Inc.

*Uniquely designed hardwood maple block to reduce weight. Filled with color-coded Dupont nylon, which retains its shape and cleans well. When ordering, please specify super soft (white), soft (black), medium (orange), stiff (green), or rough texture (red), brush for a really aggressive texture.*

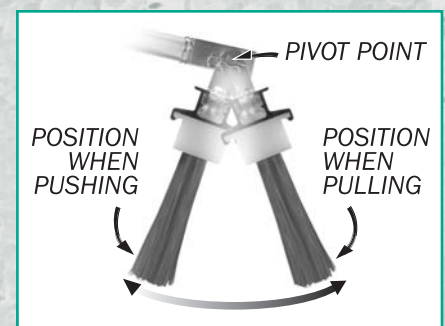
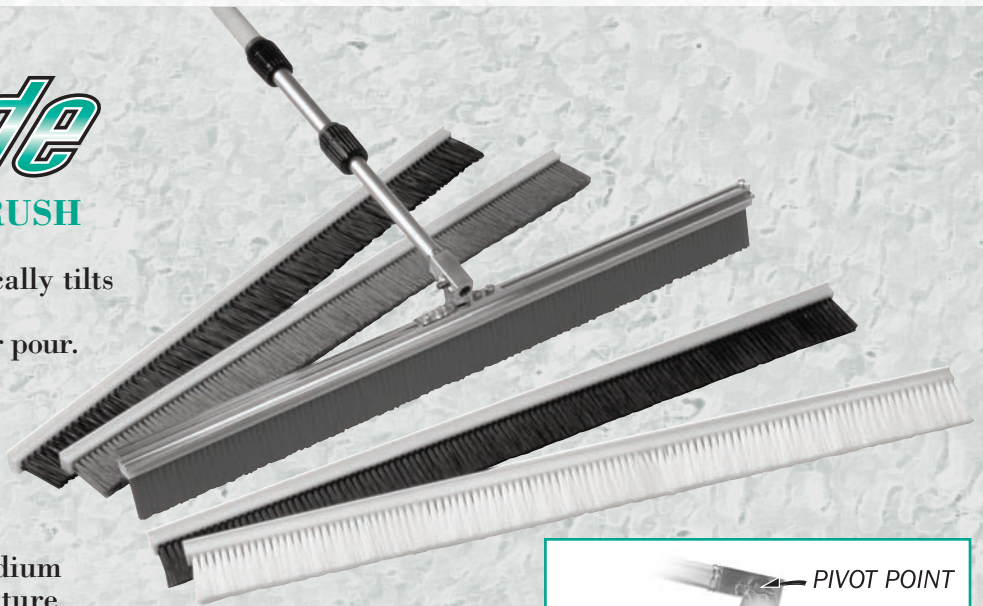
## *Auto Glide* CONCRETE FINISHING BRUSH

To be used with handles, automatically tilts on both push & pull passes. No need to lift your brush across your pour.

Available in five color-coded texturing brush inserts — 24" and 36" widths.

When ordering, please specify super soft (white), soft (black), medium (orange), stiff (green), or rough texture (red), brush for a really aggressive texture.

No.	Size
MBCA24	24" Concrete Finishing Brush-Aluminum
MBCA36	36" Concrete Finishing Brush-Aluminum
MBCAR24	24" Finish Brush Refill
MBCAR36	36" Finish Brush Refill







*When ordering, please specify brush stiffness super soft (white), soft (black), medium (orange), stiff (green), or rough texture (red), brush for those really aggressive texturing jobs.*

## FRESNO WITH BRUSH

Fresno and broom finish in one easy step. Brush finishes as you bring Fresno back to you (because of our unique pivoting system, brush won't dig into the slab but can be locked firm to give that extra downward brush pressure when needed.) Pivoting system lets you tilt brush back and out of the way if you need to work the slab prior to broom finishing. Five color-code texturing brushes to choose from.

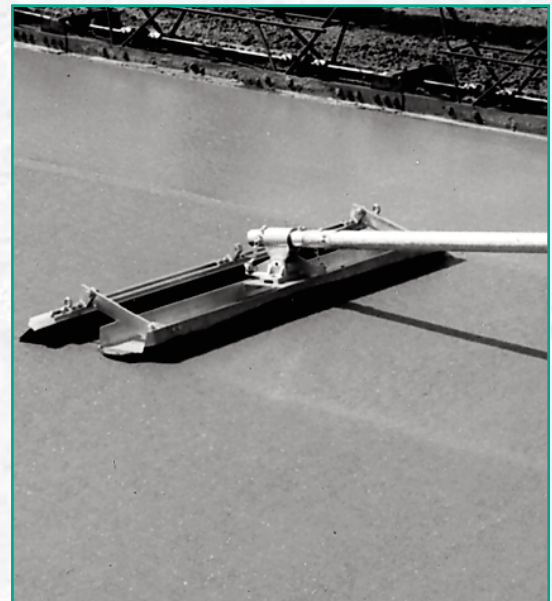
No	Size
MBFBE36	36" Fresno with 4' Brush and E-Z Tilt mechanism
MBFBK36	36" Fresno with 4' Brush and Equalizer mechanism
MBFBE42	42" Fresno with 4' Brush and E-Z Tilt mechanism
MBFBK42	42" Fresno with 4' Brush and Equalizer mechanism
MBFBE48	48" Fresno with 4' Brush and E-Z Tilt mechanism
MBFBK48	48" Fresno with 4' Brush and Equalizer mechanism
MBFBA4	4' Brush with Fresno Adapter Bar Kit only
MBFAK	Fresno Adapter Bar Kit.

## BULL FLOAT WITH BRUSH

Bull float and broom finish in one easy step. Brush finishes as you bring float back to you (because of our unique pivoting system, the brush won't dig into the slab. Also can be locked firm, to give that extra downward brush pressure when needed). Pivoting system lets you tilt brush back and out of the way if you need to work the slab prior to broom finishing. Five color-coded texturing brushes to choose from.

No.	Size
MBBBE4	4' Float with Brush and E-Z Tilt mechanism
MBBBK4	4' Float with Brush and Equalizer mechanism
MBBBE6	6' Float with Brush and E-Z Tilt mechanism
MBBBK6	6' Float with Brush and Equalizer mechanism
MBBBE8	8' Float with Brush and E-Z Tilt mechanism
MBBBK8	8' Float with Brush and Equalizer mechanism
MBBBA4	4' Brush with Float Adapter kit only
MBBBA6	6' Brush with Float Adapter kit only
MBBBA8	8' Brush with Float Adapter kit only
MBBAK	Bull Float Adapter Bar Kit

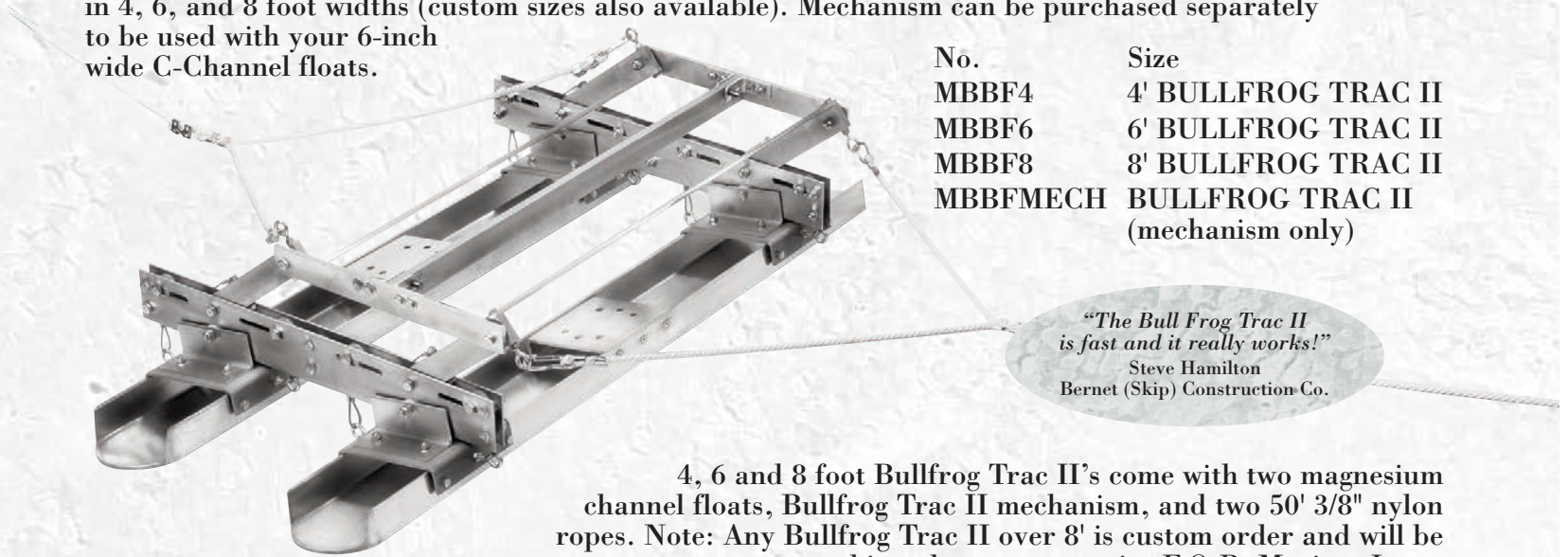
*When ordering, please specify brush stiffness super soft (white), soft (black), medium (orange), stiff (green), or rough texture (red), brush for those really aggressive texturing jobs.*





## BULLFROG TRAC II

Handleless Bull Float system (pulled from side to side with ropes). Gives an even and consistent floated surface no matter which way you pull it (no handle weight to affect the slab). Mechanism automatically tilts the head no matter which way you pull it (adjustable). Great for wide pours of 24 feet or more. Especially effective in confined areas where handles are clumsy and awkward. Available in 4, 6, and 8 foot widths (custom sizes also available). Mechanism can be purchased separately to be used with your 6-inch wide C-Channel floats.



No.	Size
MBBF4	4' BULLFROG TRAC II
MBBF6	6' BULLFROG TRAC II
MBBF8	8' BULLFROG TRAC II
MBBFMECH	BULLFROG TRAC II (mechanism only)

*"The Bull Frog Trac II  
is fast and it really works!"*  
Steve Hamilton  
Bernet (Skip) Construction Co.

4, 6 and 8 foot Bullfrog Trac II's come with two magnesium channel floats, Bullfrog Trac II mechanism, and two 50' 3/8" nylon ropes. Note: Any Bullfrog Trac II over 8' is custom order and will be shipped common carrier F.O.B. Marion, Iowa.

Bullfrog Trac II mechanism comes with two 50' 3/8" nylon ropes to be used on 6" wide C-channel floats.

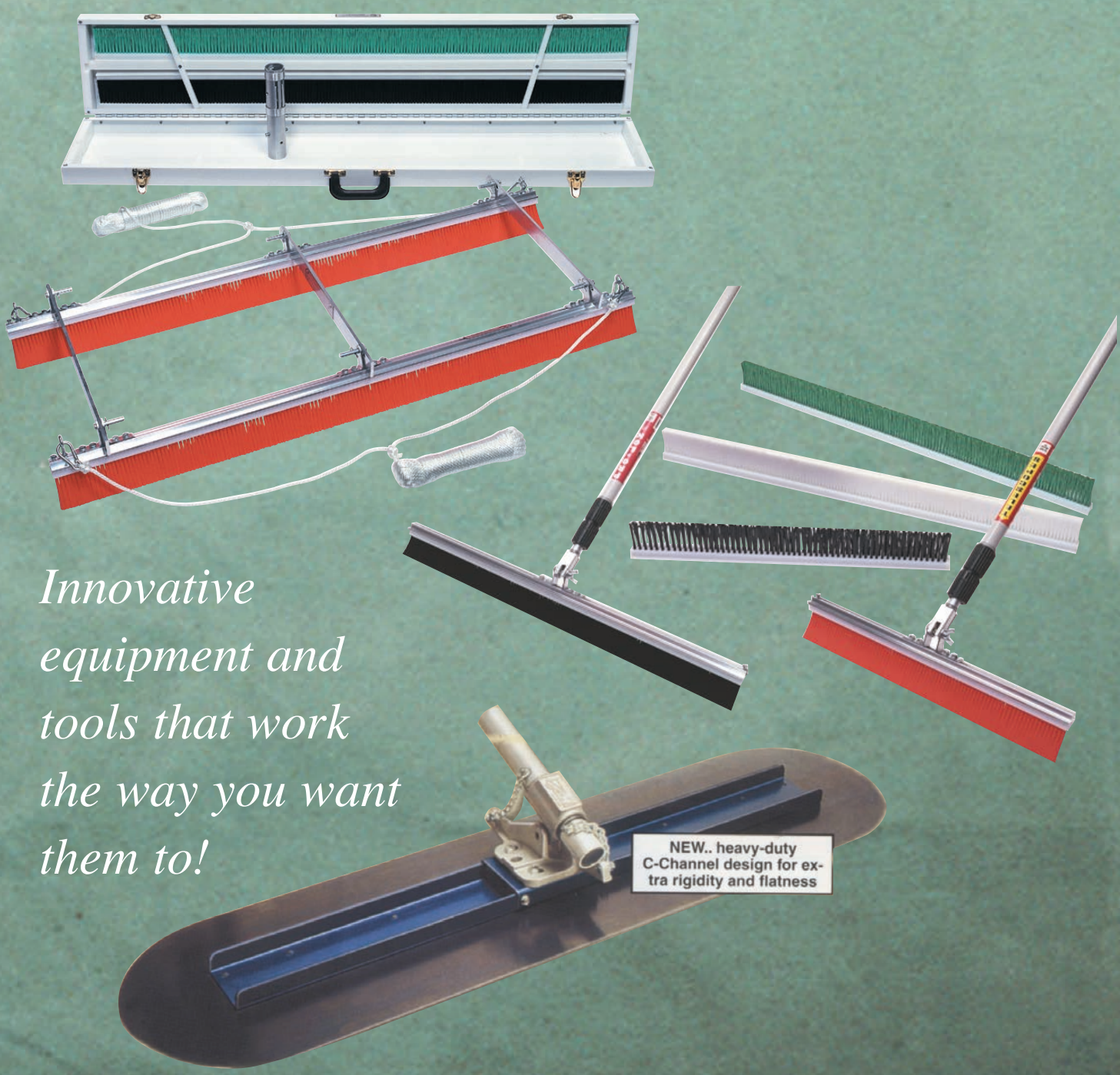
## FLAT WIRE TINE BROOM

Tine broom produces a uniform textured groove surface on roads and bridges for maximum traction. Flat wires are 4" in length by .125 width (replacement tines available). 1/2" or 3/4" on center are standard spacing (also available in random patterns upon request). 4, 6, and 8 foot standard (custom sizes and spacing available upon request). By purchasing an adapter bar kit you can add this tine broom to your 6" wide channel float or Fresno.

No.	Size
MBTB4	4' Tine Broom (specify spacing when ordering 1/2", 3/4", or random)
MBTB6	6' Tine Broom (specify spacing when ordering 1/2", 3/4", or random)
MBTB8	8' Tine Broom (specify spacing when ordering 1/2", 3/4", or random)
MBBAK	Bull Float Adapter Bar Kit
MBFAK	Fresno Adapter Bar Kit
MBFK200	Replacement Tines







*Innovative  
equipment and  
tools that work  
the way you want  
them to!*

NEW. heavy-duty  
C-Channel design for ex-  
tra rigidity and flatness

For sales information,  
email  
**Jeff McCaughey**  
Sales/Tech Development  
[jeff@marionbrush.com](mailto:jeff@marionbrush.com)

For sales information,  
email  
**Gary Bolden**  
President  
[gary@marionbrush.com](mailto:gary@marionbrush.com)

For production questions,  
email  
**Doug Rouse**  
General Manager  
[doug@marionbrush.com](mailto:doug@marionbrush.com)

# MARION BRUSH

MANUFACTURING COMPANY

1685 7th AVE. MARION, IA 52302 • 1-800-930-9062

[www.marionbrush.com](http://www.marionbrush.com)